

# SERVO STABILIZERS 1 Ph.



## Function:

Servo Stabilizers series PSS are single phase precision voltage stabilizers for protection against voltage fluctuations.

## Application:

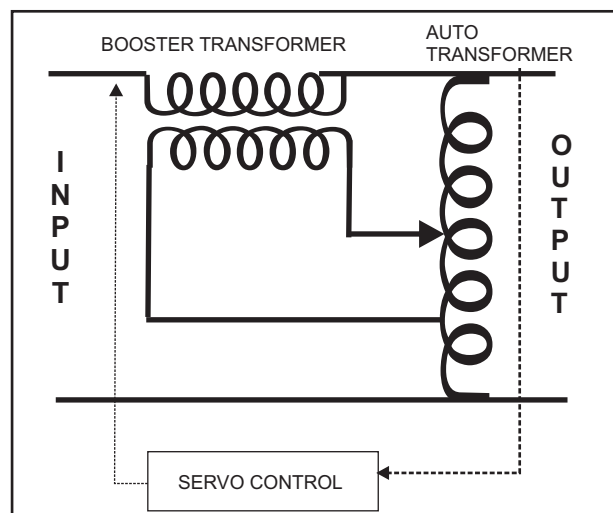
Servo stabilizers enhances the life and operating efficiency of sensitive electronic equipments by providing precise voltage. These are being used extensively with medical and analytical equipments, CNC machine tools, Office automation, Printers, printing machines, Photo copiers, EPABX, Fax, Health care units, Ultra Sound Scanners, Thread mill, Patient monitoring Systems, Refractometer Blood Analyzer, Photo Processing units, Studios, Sound and Pictures dubbing and reproducing equipments, Textile knitting machines, Quality Control and R & D centers.



## Specifications:

KVA Capacity	: 1, 2, 3.0, 4, 5, 6, 8, 10.
Input range	: 170/150/130 V- 270 V. AC
Out put Volt.	: 230 V.
Accuracy	: +/- .5%
Auto Transformer	: Heavy Duty
Buck/ Boost Transformer:	Heavy Duty
Servo Motor	: High Torque, quick response.
Protections	: Under Volt, auto re-set : Over Volt, auto re-set : Over load, manual re-set
Indications	: Mains on : Under Volt, : Over Volt, : Over load,
Operation	: Auto/ Manual
Alarm	: Under Volt, Over Volt, Over Load,
Optional	: Filter / Spike suppressor . : Manual By-pass switch

## Block Diagram



## Servo Stabilisers 1 Ph. Series PSS Price List W.E.F. 1-4-2007.

Model No.	Capacity in KVA	Load Amp	Input Voltage Range	Output Voltage Range
PSS-017	1	4.3	170-270	230+0.5%
PSS-015	1	4.3	150-270	230+0.5%
PSS-013	1	4.3	130-270	230+0.5%
PSS-027	2	8.7	170-270	230+0.5%
PSS-025	2	8.7	150-270	230+0.5%
PSS-023	2	8.7	130-270	230+0.5%
PSS-037	3	13	170-270	230+0.5%
PSS-035	3	13	150-270	230+0.5%
PSS-033	3	13	130-270	230+0.5%
PSS-047	4	17.4	170-270	230+0.5%
PSS-045	4	17.4	150-270	230+0.5%
PSS-043	4	17.4	130-270	230+0.5%
PSS-057	5	21.7	170-270	230+0.5%
PSS-045	5	21.7	150-270	230+0.5%
PSS-053	5	21.7	130-270	230+0.5%
PSS-087	8	32.6	170-265	230+0.5%
PSS-085	8	32.6	150-270	230+0.5%
PSS-083	8	32.6	130-265	230+0.5%
PSS-107	10	43.4	170-265	230+0.5%
PSS-105	10	43.4	150-270	230+0.5%
PSS-1036	10	43.4	130-265	230+0.5%

**Built in**  
**Under /Over Volt**  
**&**  
**Over load,**  
**Protection.**

**POWER SERVICES**  
*Innovative Power Solutions*

33, Phears Lane, Kolkata-700 073  
Ph.: 2236-0575, 2237-0508  
Fax. No. 22259090  
email: info@indiapowerhouse.net  
web: www.indiapowerhouse.com